



20210315

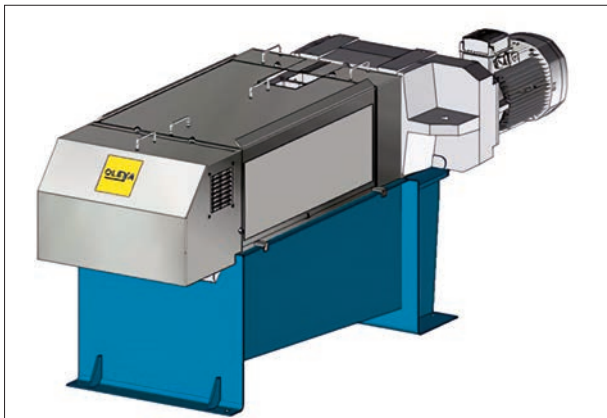
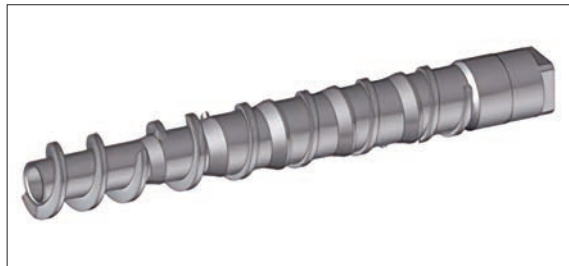
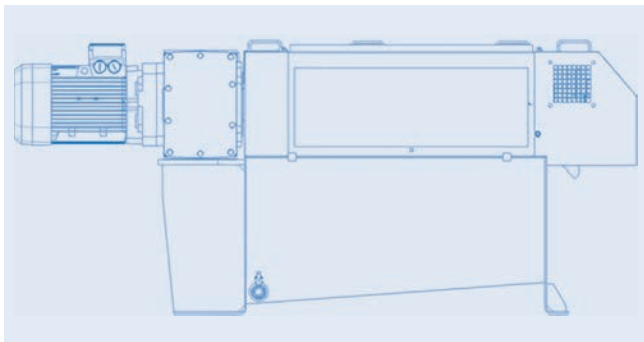
## PRESS TYPE MBU 20

### Description

- Designed for cold or hot pressure of oleaginous seeds
- Rape seeds, Sunflower seeds, Linseeds, Cotton seeds, Groundnuts, Soyabeans...
- Made in France

### Technical informations

Flow rate:	80 to 120 kg/h
Power installed:	7.5 kW
Size:	2 x 0.85 x 0.87 m
Tare weight:	660 kg



TECHNICAL DATA SHEET  
**OIL EXTRACTION**



[www.olexapress.com](http://www.olexapress.com)

Z.A.C. Artoipole - BP 42015, 62060 ARRAS Cedex FRANCE

Tél. +33 3 21 55 36 00 ■ Fax : +33 3 21 24 04 34 ■ Email : [hello@olexapress.com](mailto:hello@olexapress.com)

SAS au capital de 1 000 000 EUR – 651 920 506 RCS ARRAS – APE 2893 Z – N° TVA : FR 00 651 920 506