



20210315

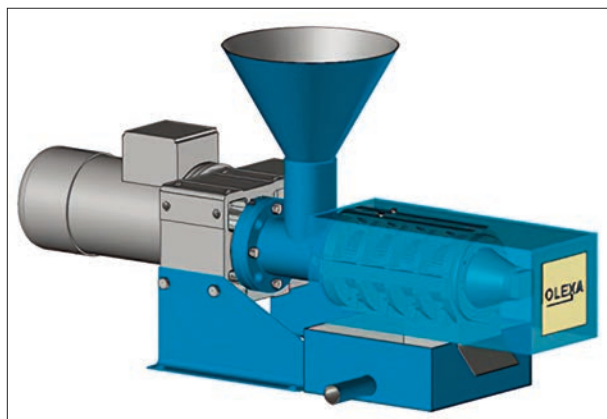
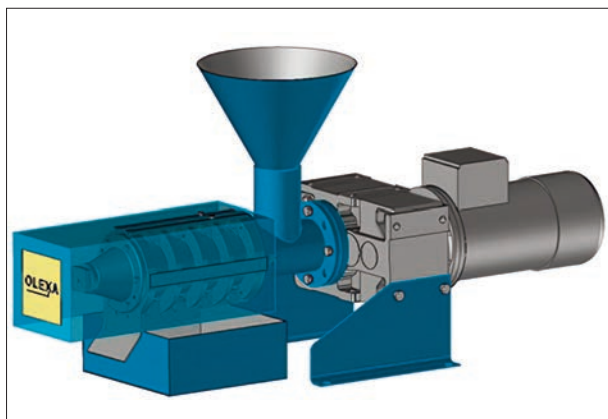
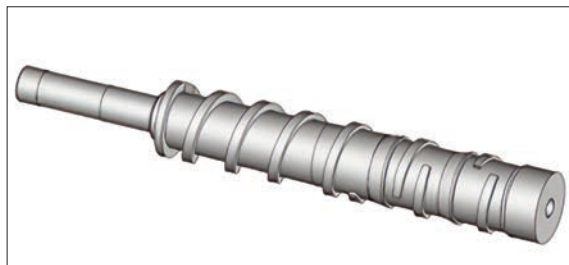
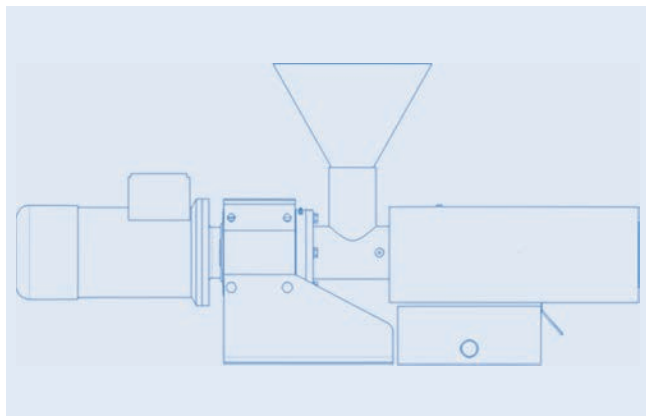
PRESS TYPE OLÉANE 100

Description

- Designed for the cold pressure of oleaginous seeds
- Rape seeds, Sunflower seeds, Linseeds...
- Made in France

Technical informations

Flow rate:	100 kg/h
Power installed:	4 kW
Size:	1.4 x 0.5 x 0.75 m
Tare weight:	215 kg



TECHNICAL DATA SHEET
OIL EXTRACTION



www.olexapress.com

Z.A.C. Artoipole - BP 42015, 62060 ARRAS Cedex FRANCE

Tél. +33 3 21 55 36 00 ■ Fax : +33 3 21 24 04 34 ■ Email : hello@olexapress.com

SAS au capital de 1 000 000 EUR – 651 920 506 RCS ARRAS – APE 2893 Z – N° TVA : FR 00 651 920 506