



OLEXA
we extract the value

20210315

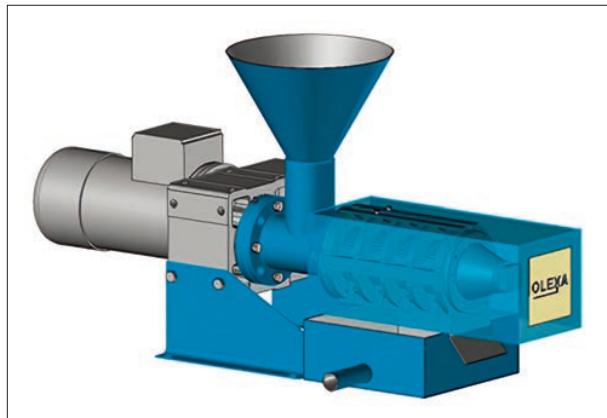
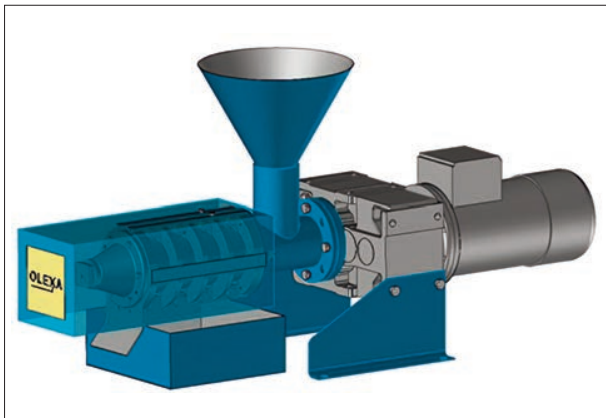
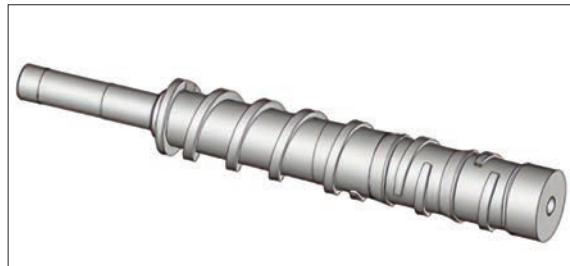
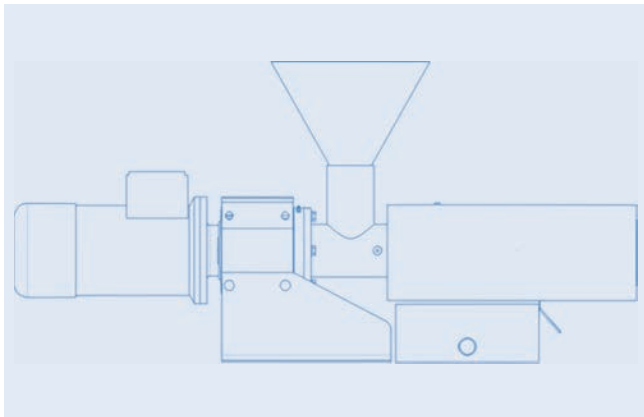
PRESS TYPE OLÉANE 50

Description

- Designed for the cold pressure of oleaginous seeds
- Rape seeds, Sunflower seeds, Linseeds...
- Made in France

Technical informations

Flow rate:	50 kg/h
Power installed:	2.2 kW
Size:	1.2 x 0.5 x 0.6 m
Tare weight:	105 kg



www.olexapress.com

Z.A.C. Artoipole - BP 42015, 62060 ARRAS Cedex FRANCE

Tél. +33 3 21 55 36 00 ■ Fax : +33 3 21 24 04 34 ■ Email : hello@olexapress.com

SAS au capital de 1 000 000 EUR - 651 920 506 RCS ARRAS - APE 2893 Z - N° TVA : FR 00 651 920 506

TECHNICAL DATA SHEET
OIL EXTRACTION

